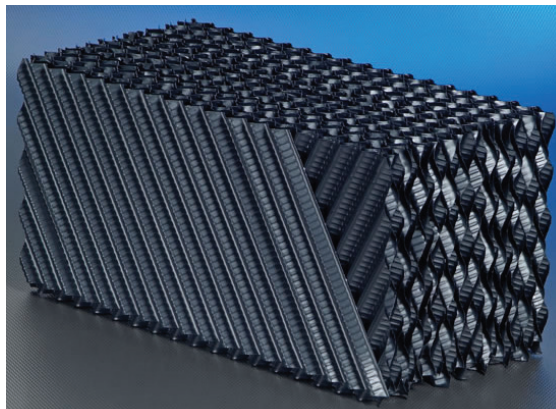


TECHNOL d.o.o.
ENGINEERING & GRP PRODUCTION L.t.d.

SEDIMENTATION TANKS SED-TECH

Technol GRP sedimentation tanks are produced with a resistant internal chemical liner and mechanical structure to ensure a long lasting service life without any maintenance costs.

With inserting the parallel plates – lamellas, the sedimentation in this tank is the most economic process to remove sludge, sand and silts in surface water, chemical precipitation and flocculation form solids.



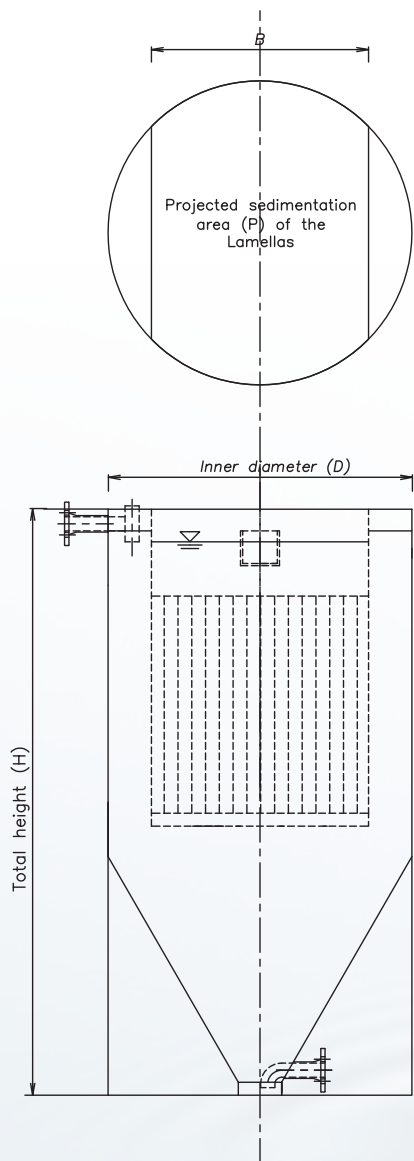
Product features:

- Sludge thickening in 60° - conical hopper
- Quick and easy to install
- 5 – 72 m³/h flow
- 5 – 90 m² sedimentation area
- Lamellas height 1000 mm
- Produced from GRP

The sedimentation tank can be adjusted to specific requirements by choosing

- Flange size for inlet, effluent and sludge removal
- Projected sedimentation area depending on type of lamellas used

Technol is manufacturing this standard sedimentation tanks SED-TECH LAM*



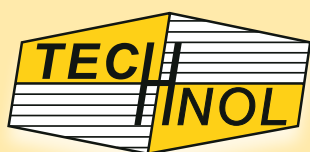
Height of lamellas H = 1 m						
	Inner diameter D	Width B	Total height H	Volume Water	Projected sedimentation area P	
Type	[m]	[m]	[m]	[m ³]	Type 1 [m ²]	Type 2 [m ²]
SED-tech LAM 29	1,40	1,00	2,7	2,9	9,0	5,1
SED-tech LAM 38	1,60	1,20	2,9	3,8	13,5	7,7
SED-tech LAM 49	1,80	1,30	3,2	4,9	17,5	9,9
SED-tech LAM 66	2,00	1,50	3,4	6,6	23,5	13,3
SED-tech LAM 78	2,20	1,70	3,5	7,8	30,3	17,2
SED-tech LAM 97	2,40	1,90	3,7	9,7	38,1	21,6
SED-tech LAM 119	2,60	1,90	3,9	11,9	42,3	24,0
SED-tech LAM 141	2,80	2,10	4,0	14,1	51,3	29,2
SED-tech LAM 166	3,00	2,30	4,2	16,6	61,3	34,8
SED-tech LAM 194	3,20	2,50	4,4	19,4	72,1	41,0
SED-tech LAM 240	3,50	2,80	4,7	24,0	90,0	51,1

Calculated flow rate of sedimentation depending on the quality of water to be treated.

* Special sedimentation tanks can be manufactured upon request

Typical Applications:

	Lamellas Type 1	Lamellas Type 2
Potable and process water	Surface water, Ground water, Filter backwash water	
Waste water	Aquaculture, Humus tanks behind fixed film processes, Flocculated water, Storm water	Primary sedimentation, Activated sludge with low sludge volume



TECHNOL Portorož d.o.o.
 PODJETJE ZA INŽENIRING IN PROIZVODNJO
 IZDELKOV IZ UMETNIH MAS

Industrijska c. 6e, 6310 IZOLA - SLOVENIJA
 Tel.: ++386/5/6625-340 Fax: ++386/5/6625-341
 E-mail: technol@siol.net www.technol.si